

RS 10 S

EAN 4007841 730512
Article number 730512



Function description

Classy and powerful. High-frequency SensorLight RS 10 S, ideal for stairwells and corridors, for E 27 lamps, matt opal glass shade, 360° detection, reach setting 1 – 8 m, selectable time and twilight threshold.

Technical specifications

Dimensions (Ø x H)	280 x 110 mm
With lamp	No
With motion detector	Yes
Manufacturer's Warranty	5 years
Settings via	Potentiometers
With remote control	No
PU1, EAN	4007841730512
Application, place	Indoors
Application, room	corridor / aisle, function room / ancillary room, stairwell, WC / washroom, outdoors, Indoors
Colour	white
Installation site	wall, ceiling
Installation	Wall, Ceiling, Surface wiring
Impact resistance	IK03
IP-rating	IP44
Protection class	II
Ambient temperature	-20 – 40 °C

Detection	also through glass, wood and stud walls
Capability of masking out individual segments	No
Electronic scalability	Yes
Mechanical scalability	No
Reach, radial	Ø 8 m (50 m²)
Reach, tangential	Ø 8 m (50 m²)
Photo-cell controller	Yes
Transmitter power	< 1 mW
Lamp	All-purpose lamp
Base	E27
Soft light start	No
Continuous light	selectable
Twilight setting	2 – 2000 lx
Time setting	5 sec – 15 min
Basic light level function	No
Twilight setting TEACH	No

RS 10 S

EAN 4007841 730512
Article number 730512



Technical specifications

Housing material	Aluminium	Interconnection	Yes
Cover material	Glass opal	Type of interconnection	Master/master
Mains power supply	230 – 240 V / 50 Hz	Interconnection via	Cable
Switching output 1, resistive	800 W	Output	60 W
Power consumption	1,1 W	Angle of aperture	160 °
Mounting height max.	4,00 m	IP-rating, ceiling	IP44
HF-system	5,8 GHz	Detection angle	360 °

Accessories

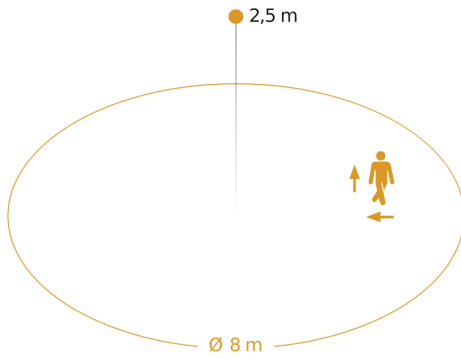
EAN 4007841 001810

Replacement glass shade for RS 10 S

RS 10 S

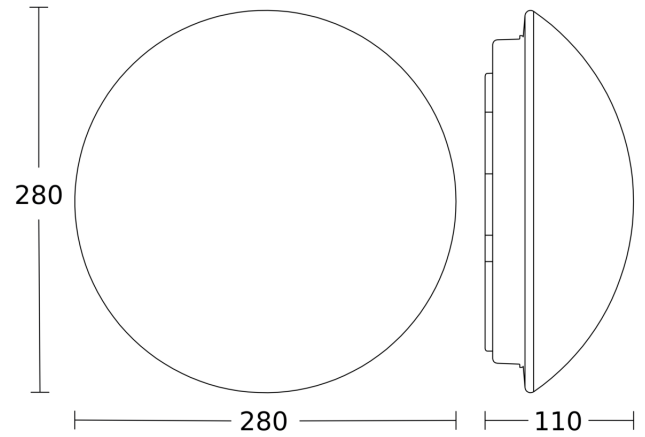
EAN 4007841 730512
Article number 730512

Detection Zone

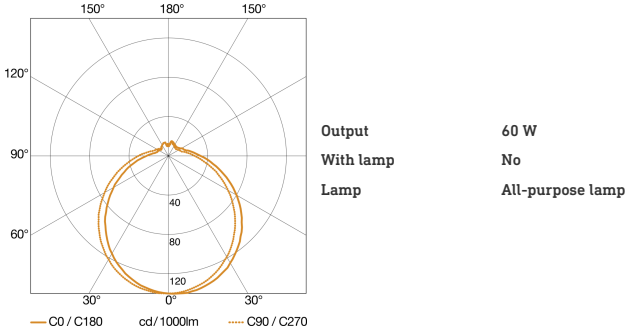


Possible mounting height: 2,00 m - 4,00 m
Orange: radial and tangential

Dimension Drawing



Light Distribution Curve



Master circuit diagram

